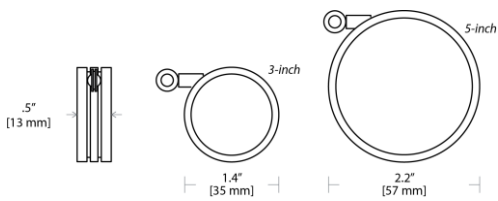




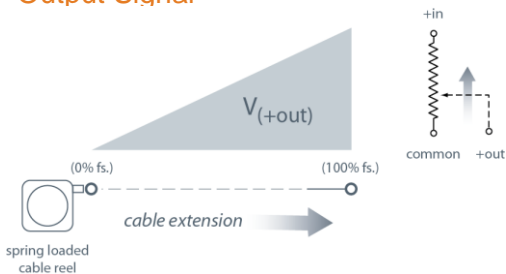
CE



The MTA is part of Celesco's miniature line of cable-extension position transducers that is perfect for short-ranged testing and control applications where space is at a premium.

This transducer uses a high-cycle conductive plastic potentiometer to provide a precision voltage divider feedback signal for measurement ranges of 3 or 5 inches full stroke. With an accuracy of  $\pm 0.4\%$  and a repeatability of  $\pm 0.02\%$ , the MTA conveniently mounts using servo-clips for easy rotational adjustment.

### Output Signal



## MTA Voltage Divider Output

**Compact String Pot • Absolute Linear Position**

**0-3, 0-5 inch Stroke Range Options**

**High Cycle Applications**

**Crash Testing • Flight Testing • OEM**

### General

<b>Full Stroke Range</b>	0-3 and 0-5 inches, min.
<b>Output Signal</b>	voltage divider (potentiometer)
<b>Accuracy</b>	$\pm 0.4\%$ full stroke
<b>Repeatability</b>	$\pm 0.02\%$ full stroke
<b>Resolution</b>	essentially infinite
<b>Potentiometer Cycle Life</b>	50 million cycles*
<b>Measuring Cable</b>	0.024-in. dia. nylon-coated stainless steel
<b>Measuring Cable Tension</b>	see ordering information
<b>Enclosure Material</b>	anodized aluminum
<b>Sensor</b>	conductive plastic potentiometer
<b>Weight (maximum)</b>	<b>3-inch: 0.10 lbs., 5-inch: 0.26 lbs.</b>

### Electrical

<b>Input Resistance</b>	5K ohms ( $\pm 10\%$ )
<b>Power Rating, Watts</b>	1.0 at 40° C (derated to 0 @ 110°C)
<b>Recommended Maximum Input Voltage</b>	30V (AC or DC)
<b>Temperature coefficient of voltage dividing ratio</b>	< 2 ppm/°C
<b>Temperature coefficient of resistance, -50...+75°C</b>	$\pm 200$ ppm/°C
<b>Temperature coefficient of resistance, +75...+100°C</b>	$\pm 300$ ppm/°C
<b>Maximum Output Signal</b>	94% $\pm 4\%$ of input voltage

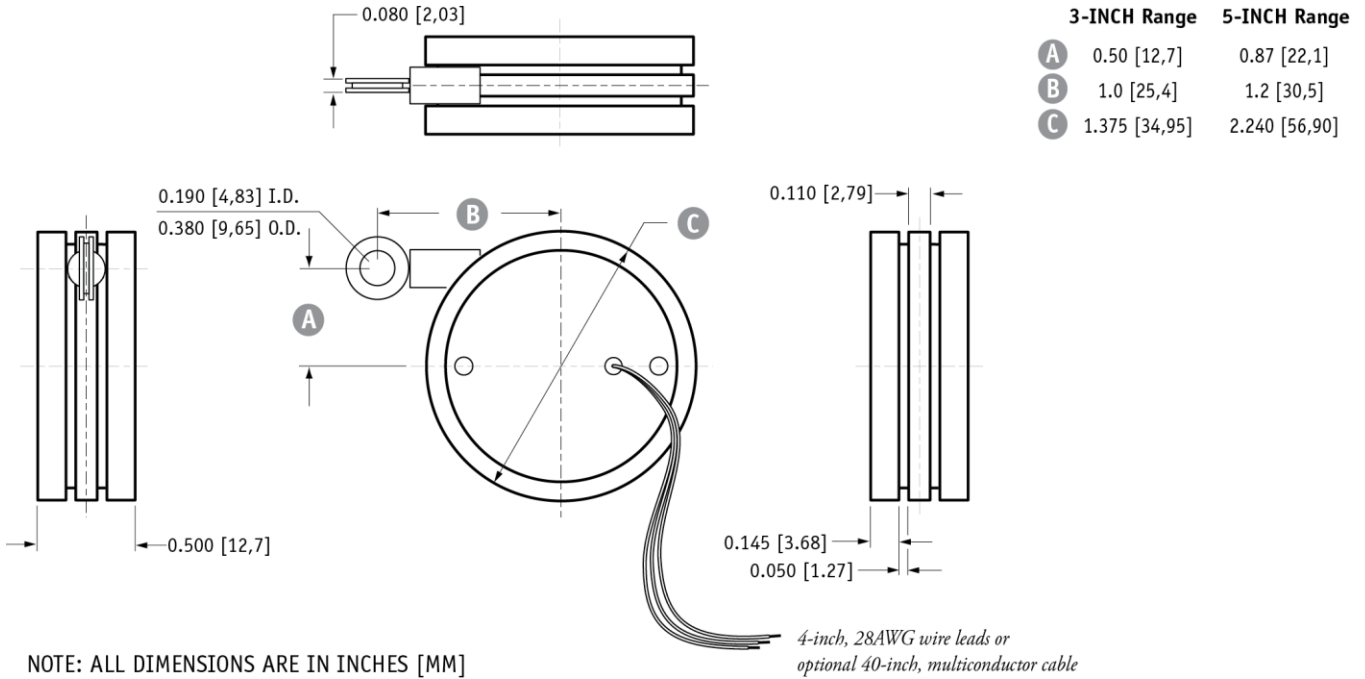
### Environmental

<b>Enclosure</b>	NEMA 12, IP55
<b>Operating Temperature</b>	-67° to 212°F (-55° to 100°C)

# MTA

## Voltage Divider Output

### Outline Drawing



### Ordering Information

#### Model Number:

**MTA** - **R** - **A** - **5K** - **B** - **C**

*order code:*

#### Sample Model Number:

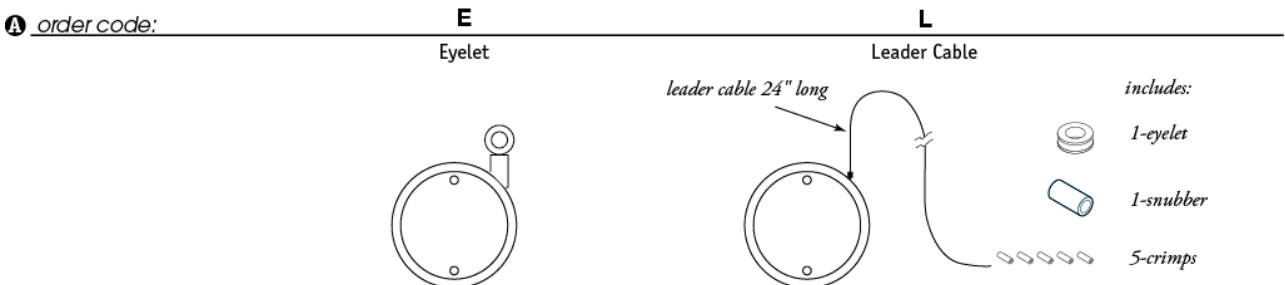
**MTA - 3AE - 5KC - MB**

- R** range/cable tension: 3 inches/4 oz.
- A** measuring cable termination: eyelet
- B** electrical connection: instrumentation cable, 40-in.
- C** mounting bracket: yes

#### Full Stroke Range:

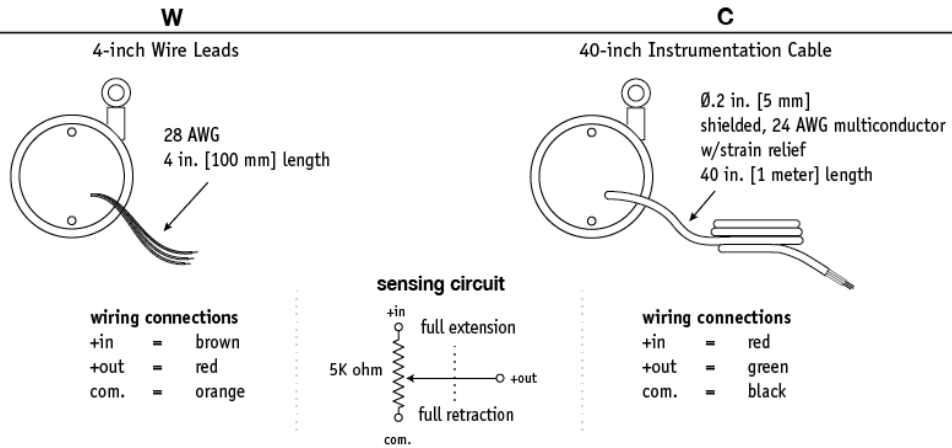
<b>R</b> <i>order code:</i>	<b>3</b>	<b>3A</b>	<b>5</b>	<b>5A</b>
full stroke range, min:	3 inches		5 inches	
std. cable tension ( $\pm 25\%$ ):	2.0 oz.	4.0 oz.	1.2 oz.	2.4 oz.
max. acceleration:	30 G's	60 G's	3 G's	6 G's

#### Measuring Cable Termination:



**Electrical Connection:**

③ *order code:*

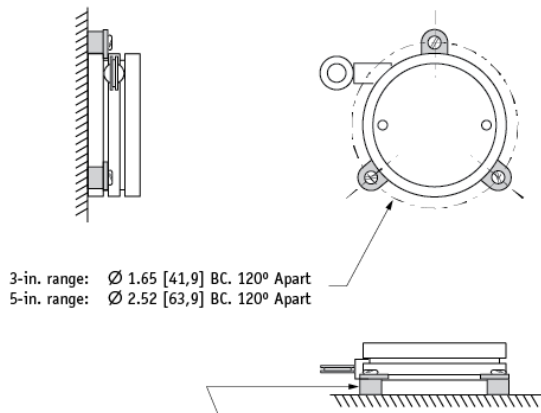


**Mounting Options**

④ *order code:*

*blank*

Servo Clip Mount Option  
*includes 3) servo-clips and 3) 4-40 screws*



*use 4-40 or M3 screws and servo-clips to mount sensor.*

**MB**

Mounting Bracket Option

