

EPRB-1 Pressure Transducer



- Miniature Design (body \varnothing 11 mm)
- Any liquid or gas Media compatible with Stainless Steel
- Operating Temperature up to 150°C (300°F)
- Rugged for Severe Environment
- CE Approved

DESCRIPTION

Ultra Miniature Pressure Transducer, 100% Stainless Steel welded construction with amplified output, designed for severe environment where minimum size and weight are required.

FEATURES

- Liquid and Gas Media compatible with SS
- Ranges from 3.5 to 350 bar (50 to 5,000 PSI)
- Operating Temperature up to 150°C (300°F)
- Combined NL&H \pm 0.25%

APPLICATIONS

- Motorsports
- Downhole Exploration
- Hydraulic Pressures
- Transportation

STANDARD RANGES

Pressure ranges		Pressure Reference	Pressure limit	Pressure limit
(BAR)	(PSI)	abs. (type3)	Model : N & V	Model : S & Q
3.5	50	•	2 x FS	2 x FS
6	100	•	2 x FS	2 x FS
10	150	•	2 x FS	2 x FS
20	300	•	2 x FS	2 x FS
35	500	•	2 x FS	2 x FS
60	1K	•	2 x FS	2 x FS
100	1.5K	•	2 x FS	2 x FS
200	3K	•	1 x FS	1.5 x FS
350	5K	•	Not available	1.2 x FS

EPRB-1 Pressure Transducer

PERFORMANCE SPECIFICATIONS

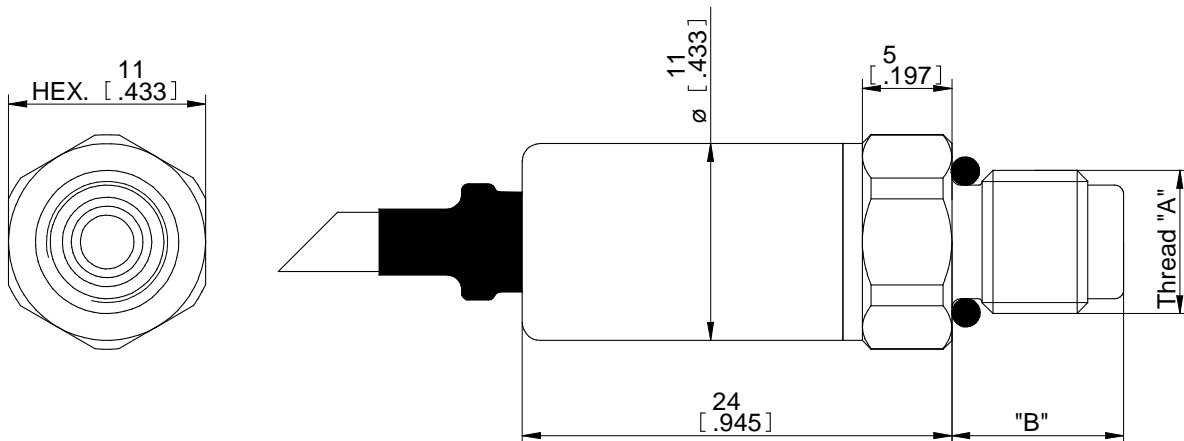
All values are typical at temperature 20±1 °C

PARAMETERS	VALUES	NOTES
Supply Voltage	Version U: 8 to 32VDC ; Version R: 5 VDC reg.	
Max Current	< 8 mA	
Non-Repeatability	±0.05% FSO typ.	
CNL & H	±0.25% FSO	
Long term stability	Offset = 0.1%span/year ; Span = 0.1%/year	
Bandwidth (-3 dB)	400 Hz	
Thermal Zero Shift "TZS"	± 1%FSO /100° C	
Thermal Sensitivity Shift "TSS"	± 1% /100° C	
Operating Temperature	- 40°C to 150°C	
Compensated Temperature	0°C to 100°C	See option table for other Temperature
Output "FSO"	0.5 to 4.5V = 4V ± 50mV	
Zero Offset at 23°C	0.5V ± 50mV	
Vibration	2g (10Hz to 60Hz) and 20g (60Hz to 1 KHz)	
Shock (1/2 sine)	50g (11 ms) and 200g (6 ms)	
Weight (without cable)	13 g + 20 g per meter of cable	
Ingress Protection	IP66	

CE compliance

EN55022 Emissions Class A & B
 IEC61000-4-2 Electrostatic Discharge Immunity (1kV contact)
 IEC61000-4-3 EM Field Immunity (3V/m)
 IEC61000-4-4 Electrical Fast Transient Immunity (1kV)

DIMENSIONS



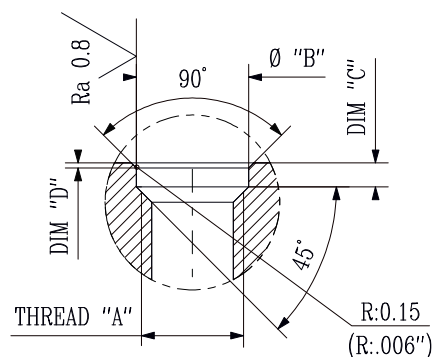
EPRB-1 Pressure Transducer

PHYSICAL (SEE BLOCK DIAGRAM)				
MODEL	THREAD "A"	THREAD LENGTH "B"	O-RING SUPPLIED	INSTALLATION TORQUE (MAX.)
N	M5x0.8	8.6 (.34")	Ø3.5x1.5 VITON	1 Nm (9 In-Pounds)
V	10-32 UNF-2A	8.6 (.34")	Ø3.5x1.5 VITON	1 Nm (9 In-Pounds)
S	M8x1	9.6 (.38")	Ø6.35x1.6 VITON	2.5 Nm (22 In-Pounds)
Q	5/16-24 UNF-2A	9.6 (.38")	Ø6.35x1.6 VITON	2.5 Nm (22 In-Pounds)

INSTALLATION & CONNECTION

RECOMMENDED MOUNTED PORT			
Thread "A"	Dim. "B"	Dim. "C"	Dim. "D"
M5x0.8	5.6 mm	1.5 mm	0.2 mm
10-32 UNF	0.22"	0.060"	0.01"
M8x1	8.8 mm	1.9 mm	0.4 mm
5/16-24 UNF-2A	0.35"	0.075"	0.015"

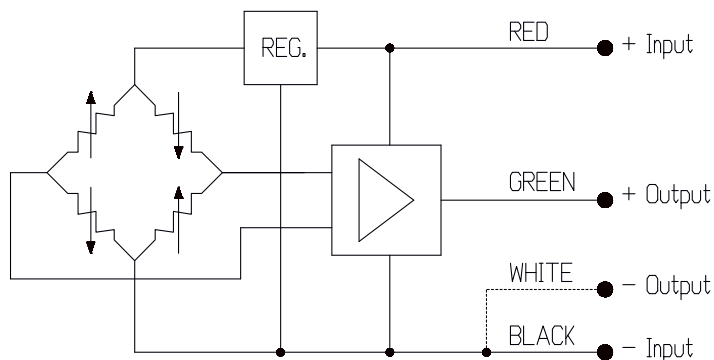
Tolerances on dimensions = ± 0.05 mm (0.002")



WIRING:

Standard: 1 meter of unshielded cable 3 x AWG24

Option SC00M: shielded cable 4 x AWG26
(replace "00" with total length in meter)



OPTIONS AND ACCESSORIES

OPTIONS	CODES	DESCRIPTIONS
Compensated Temperature Ranges	Z1	-20°C to 40°C
	Z35	+20°C to 120°C
Shielded cable (4 leads x AWG26)	SC00M	Replace "00" with total length in meters (SC1M ; SC3M ; SC5M...)
Acceptance Test Report	ATR	ATR for a complete Acceptance Test Report provided with transducer

EPRB-1 Pressure Transducer

ORDERING INFORMATION

Model	-	Pressure Port	Supply Voltage	Output Signal	Pres. Ref.	-	Range/Unit	-	Options
EPRB-1	-	N = M5x0.8 V = 10-32 UNF S = M8x1 Q = 5/16-24 UNF	U = 8 to 32 VDC R = 5 VDC reg.	3 = 0.5 to 4.5 V	3 = Absolute	-	3.5B 50P 6B 100P 10B 150P 20B 300P 35B 500P 60B 1KP 100B 1.5KP 200B 3KP 350B 5KP	-	/Z1 /Z35 /SC00M /ATR

Exemple: EPRB-1-VU33-500P-/Z1/SC5M